

---



**DOWNLOAD**

[2012 \(2009\) 1080p Bluray X264 Dual Audio \[English-Hindi\] - TBI](#)

only during the initialization and shutdown processes. The BSP is responsible for initializing the system and for booting the operating system; APs are activated only after the operating system is up and running. CPU1 is designated as the BSP. CPU2, CPU3, and so on, are designated as the APs.

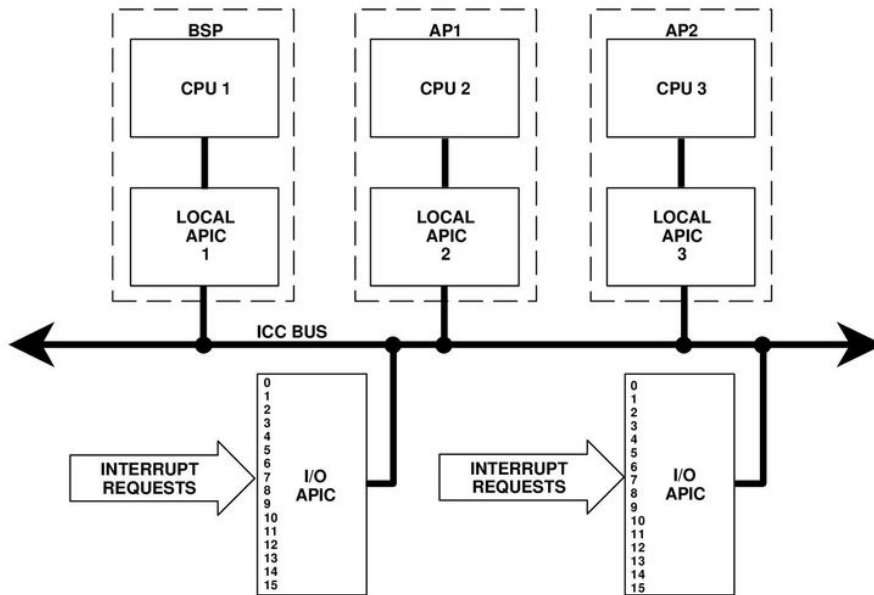


Figure 2-2. APIC Configuration

### 2.1.2 Advanced Programmable Interrupt Controller

The Advanced Programmable Interrupt Controller (APIC) is based on a distributed architecture in which interrupt control functions are distributed between two basic functional units, the local unit and the I/O unit. The local and I/O units communicate through a bus called the Interrupt Controller Communications (ICC) bus, as shown in Figure 2-2.

In a multiprocessor system, multiple local and I/O APIC units operate together as a single entity, communicating with one another over the ICC bus. The APIC units are collectively responsible for delivering interrupts from interrupt sources to interrupt destinations throughout the multiprocessor system.

The APICs help achieve the goal of scalability by doing the following:

- Off-loading interrupt-related traffic from the memory bus, making the memory bus more available for processor use.
- Helping processors share the interrupt processing load with other processors.

The APICs help achieve the goal of AT-compatibility by cooperating with 8259A-equivalent PICs in the system.

---

[2012 \(2009\) 1080p Bluray X264 Dual Audio \[English-Hindi\] - TBI](#)

**DOWNLOAD**

- 
1. [conan the barbarian \(2011\) dual audio hindi-english 1080p bluray](#)
  2. [conan the barbarian \(2011\) dual audio hindi-english 720p bluray](#)
  3. [ghosts of the abyss \(2003\) dual audio hindi-english 720p bluray rip](#)

## **conan the barbarian (2011) dual audio hindi-english 1080p bluray**

conan the barbarian (2011) dual audio hindi-english 1080p bluray, shooter (2007) dual audio hindi-english 720p bluray rip, conan the barbarian (2011) dual audio hindi-english 720p bluray, i frankenstein (2014) dual audio hindi-english 720p bluray rip, ghosts of the abyss (2003) dual audio hindi-english 720p bluray rip, the spiderwick chronicles (2008) dual audio hindi-english 720p bluray rip, oblivion (2013) dual audio hindi-english 720p bluray rip, crazy stupid love 2011 bluray 720p dual audio hindi english, turbo-2013-hindi-720p-480p-bluray-dual-audio-hindi-english, hollywood dual audio hindi-english bluray movies, stalingrad (2013) bluray 720p dual-audio hindi-english, avatar (2009) bluray 720p dual audio hindi+english mkv, contagion 2011 x264 720p esub bluray dual audio english hindi, eragon (2006) bluray 720p x264 dual audio hindi+english, sharktopus (2010) bluray 720p 480p dual audio hindi & english x264, mousehunt (1997) dual.audio.hindi-english.bluray.720p.dj vikas [statisticalqualitycontrolbymahajanpdfdownload](#)

[Download The Attacks Of 26 11 Movie Utorrent](#)

only during the initialization and shutdown processes. The BSP is responsible for initializing the system and for booting the operating system; APs are activated only after the operating system is up and running. CPU1 is designated as the BSP. CPU2, CPU3, and so on, are designated as the APs.

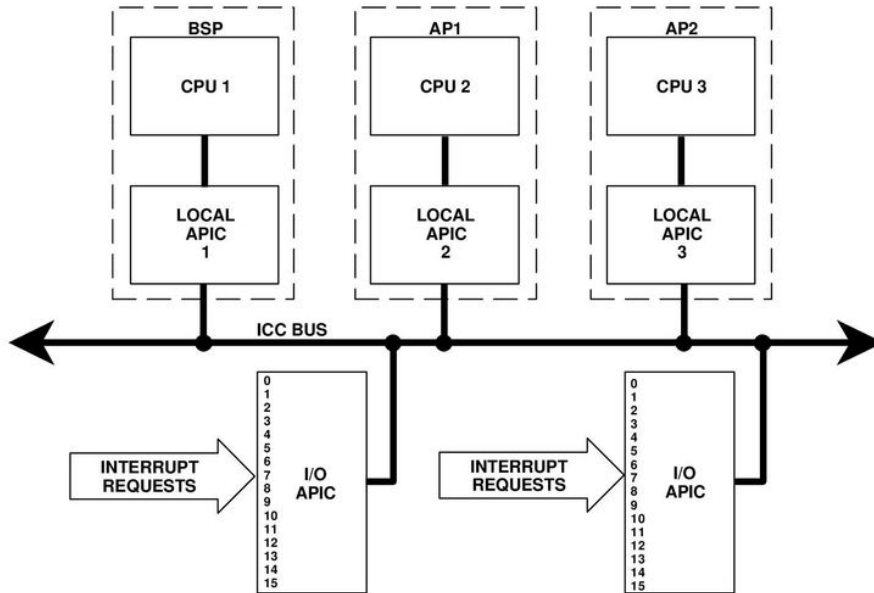


Figure 2-2. APIC Configuration

### 2.1.2 Advanced Programmable Interrupt Controller

The Advanced Programmable Interrupt Controller (APIC) is based on a distributed architecture in which interrupt control functions are distributed between two basic functional units, the local unit and the I/O unit. The local and I/O units communicate through a bus called the Interrupt Controller Communications (ICC) bus, as shown in Figure 2-2.

In a multiprocessor system, multiple local and I/O APIC units operate together as a single entity, communicating with one another over the ICC bus. The APIC units are collectively responsible for delivering interrupts from interrupt sources to interrupt destinations throughout the multiprocessor system.

The APICs help achieve the goal of scalability by doing the following:

- Off-loading interrupt-related traffic from the memory bus, making the memory bus more available for processor use.
- Helping processors share the interrupt processing load with other processors.

The APICs help achieve the goal of AT-compatibility by cooperating with 8259A-equivalent PICs in the system.

[Full Movie Hd 1080p Free Download Utorrent](#)

**conan the barbarian (2011) dual audio hindi-english 720p bluray**

[Siberian Mouse - Masha-Ina-Kriss](#)  
[telugumoviescriptspdfreedownloadk](#)

**ghosts of the abyss (2003) dual audio hindi-english 720p bluray rip**

[Happy New Year 2014 BluRay 1080p](#)

98cc185845 [Hindi Dubbed Tomorrowland Movies Full Hd 720p](#)

98cc185845

[crook 2010 bluray 720p kickass](#)